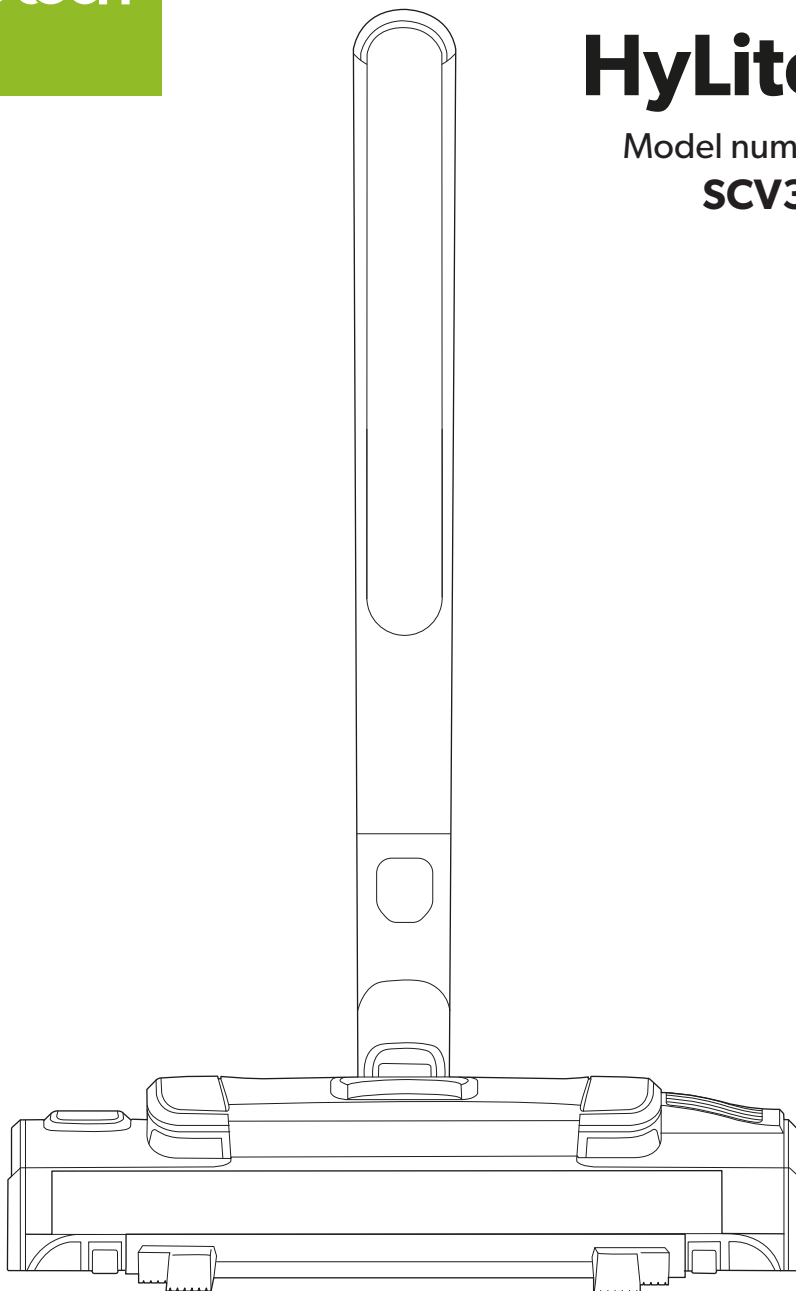


Gtech

HyLite²

Model number:
SCV300



OPERATING MANUAL

IMPORTANT SAFEGUARDS:



**IMPORTANT: READ ALL INSTRUCTIONS BEFORE USE.
RETAIN INSTRUCTIONS FOR FUTURE REFERENCE.**



Do not use in rain or leave outdoors whilst raining.



WARNING: basic safety precautions should always be observed when using an electrical appliance in order to reduce the risk of fire, electric shock or injury. These include the following:

Personal safety:

- Store indoors in a dry place out of the reach of children.
- Always use responsibly. This appliance can only be used by the following individuals if they have been given supervision or instruction concerning use of the appliance in a safe way, and understand the hazards involved: children aged from 8 years and above and persons with reduced physical, sensory or mental capabilities or lack of experience and knowledge.
- Don't let children play with the appliance; supervise children using or maintaining the appliance.
- Only use manufacturer's recommended attachments as described in this manual; misuse or use of any accessory or attachment, other than those recommended, may present a risk of personal injury.
- Take extra care when cleaning stairs.
- Keep the appliance and accessories away from hot surfaces.
- Do not block the appliance openings or hinder air flow; keep openings free of any objects including dust, lint, clothing, fingers (and all parts of the body).
- Keep loose clothing, fingers and other body parts, particularly hair, away from the brush-bar, openings and other moving parts.

Electrical safety:

- A charger that is suitable for one type of battery pack may create a risk of fire when used with another battery pack; never use the charger with another appliance or attempt to charge this product with another charger.
- Before use, check the charger cord for signs of damage or ageing. A damaged or entangled charger cord increases the risk of fire and electric shock.
- Do not abuse the charger cord.
- Never carry the charger by the cord.
- Do not pull the charger cord to disconnect it from a socket; grasp the plug and pull to disconnect.
- Do not wrap the charger cord around the charger when storing.
- Keep the charger cord away from hot surfaces and sharp edges.
- The charger cord cannot be replaced. If the charger cord is damaged, the charger should be discarded and replaced.
- If charging the battery through an extension cord, use only CE-approved 13amp extension cords, as non-approved extension cords may overheat. Care should be taken to arrange the extension cord and charger cord as they can be a trip hazard.
- Do not handle the charger or the appliance with wet hands.
- Do not store or charge the appliance outdoors.
- Unplug the charger from the mains socket before removing the battery and before cleaning and maintaining the appliance.
- Ensure the appliance is off before connecting or disconnecting the accessories and motorised brush-bar.

Battery safety:

- This appliance includes Li-ion batteries; do not incinerate batteries or expose to high temperatures, as they may explode.
- Liquid ejected from the battery may cause irritation or burns.
- In an emergency situation, seek professional help immediately.
- Leaks from the battery cells can occur under extreme conditions. Do not touch any liquid that leaks from the battery. If the liquid gets on the skin, wash immediately with soap and water. If the liquid gets into the eyes, flush them immediately with clean water for a minimum of 10 minutes and seek medical attention. Wear gloves to handle the battery and dispose of it immediately in accordance with local regulations.
- Shorting the battery terminals may cause burns or fire.
- When the battery pack is not in use, keep it away from paper clips, coins, keys, nails, screws or other small metal objects that could make a connection from one terminal to another.
- When you dispose of the appliance, remove the battery and dispose of the battery safely and in accordance with local regulations.

Service:

- CAUTION – to reduce the risk of injury from moving parts, remove battery before servicing.
- Before using the appliance, and after any impact, check for signs of wear or damage. If repairs are needed, go to www.gtech.co.uk/support or call 01905 345 891
- Do not use the appliance if any part is damaged or defective.
- Repairs should be carried out by a service agent or a suitably qualified person in accordance with relevant safety regulations. Repairs by unqualified persons could be dangerous and will render the warranty void.
- The Gtech HyLite can be used in hand-held mode.
- Never modify the appliance in any way, as this may increase the risk of personal injury.

- Only use replacement parts or accessories provided or recommended by Gtech.
- If the appliance is not working as it should, has been dropped, damaged, left outdoors or dropped into water, contact Gtech on 01905 345891.

Intended use:

- This appliance has been designed for domestic dry vacuum cleaning only.
- Do not attempt to vacuum up liquids or use on wet surfaces.
- Do not pick up anything that is flammable, burning or smoking.
- Use only as described in this manual.
- Do not use on concrete, tarmacadam or other rough surfaces.
- The brush-bar may damage certain floor surfaces. Before vacuuming flooring, rugs or carpets, check the flooring manufacturer's recommended cleaning instructions.
- This product may damage delicate fabrics or upholstery. Care should be taken with loose-weave fabrics, or where there are loose threads. If in doubt, please test on an inconspicuous area first.
- The Gtech HyLite has a constantly rotating brush-bar. Never leave the cleaning head in one spot for an extended period of time as this may damage the surface.

WARNING:

- **Do not use water, solvents or polishes to clean the outside of the appliance; wipe clean with a dry cloth.**
- **Never immerse the unit in water and do not clean in a dishwasher.**
- **Only use authentic Gtech bags, batteries, charger etc.**
- **Do not use without a bag fitted.**
- **For domestic use only.**
- **Turn off after brush-bar has ejected.**
- **Allow to cool down if battery has overheated (see Troubleshooting section).**



Thank you for choosing Gtech

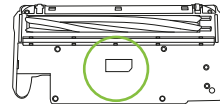
"I started Gtech to create sensible, easy to use products that do a great job. Your opinion is important to us and we'll use your feedback to improve our products and services, and to let other people know what it's like to be part of the Gtech family."

Nick

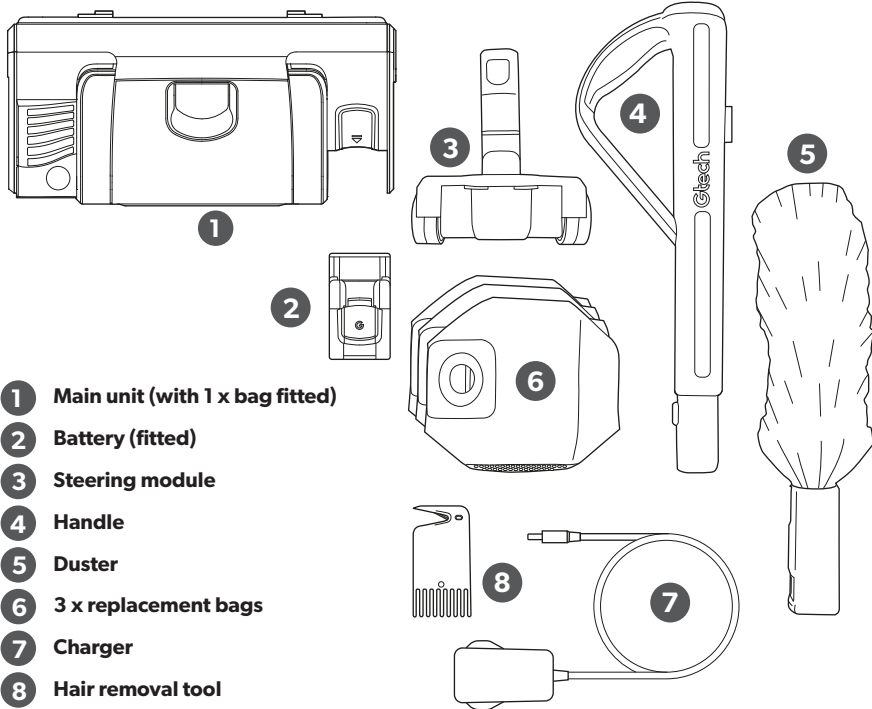
Nick Grey – Inventor, owner of Gtech

Make a note of your product serial number for future reference. You can find this on the underside of item **1**

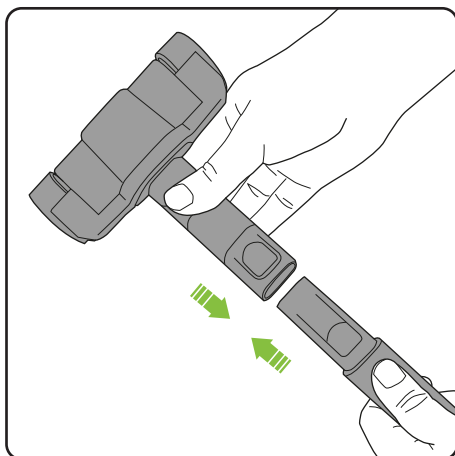
---~
---~
---~
---~



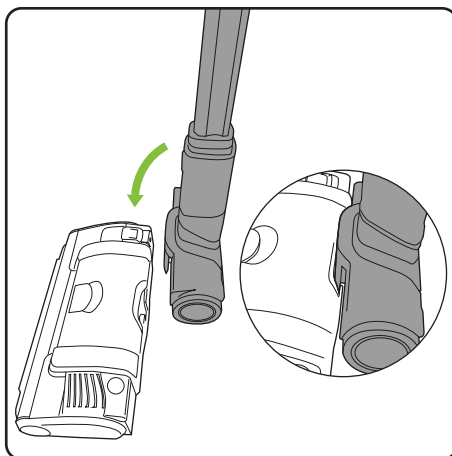
What's in the box



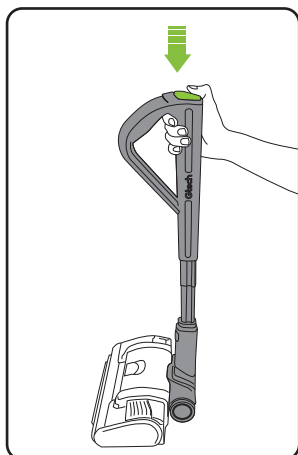
Assembly



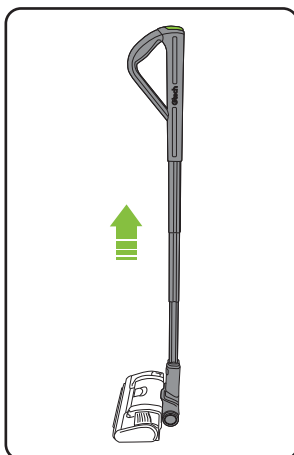
To fit the steering module to the handle simply push the end of the handle into the neck of the steering module until it clicks into place.



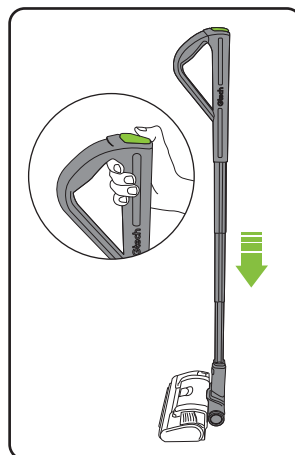
To attach the handle to the main unit there is no need to lift the vacuum from the floor. Just push the hook on the steering module into the latch at the back.



Press the green button and pull the handle upwards to extend.

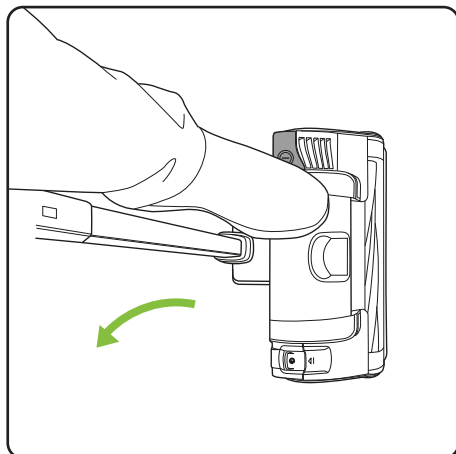


When the handle is fully extended, you'll hear a 'click'.

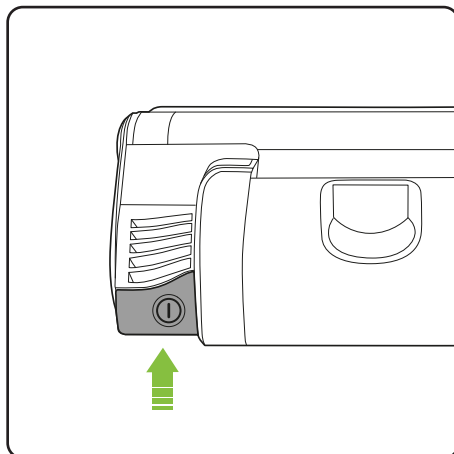


To compress the handle, simply press and hold the green button while pushing downwards, releasing the green button towards the bottom. The handle will lock into place.

Operation

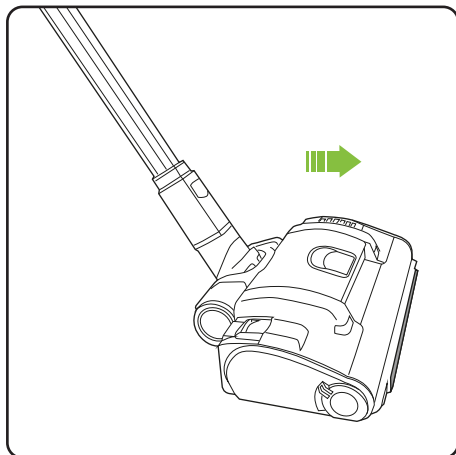


Place your foot on the left side of the unit and recline the handle.

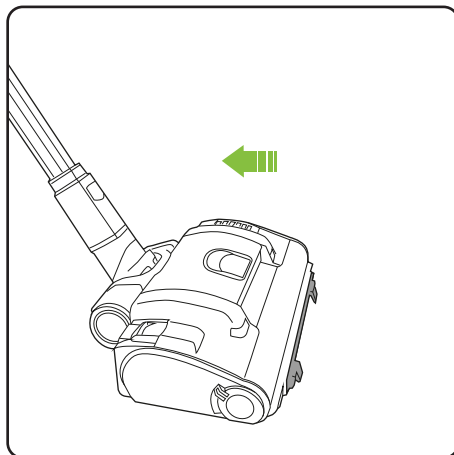


Press the power button to turn it on. You can also do this with your hand when it is in hand-held mode - be careful of the rotating brush-bar.

AirLOC

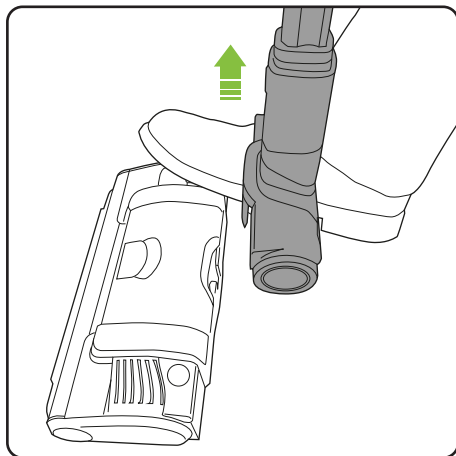


A forward motion will pick up larger pieces of debris.

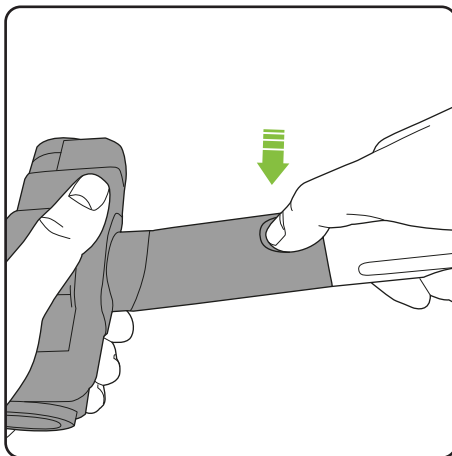


Pulling the vacuum back towards you activates the AirLOC and picks up finer particles.

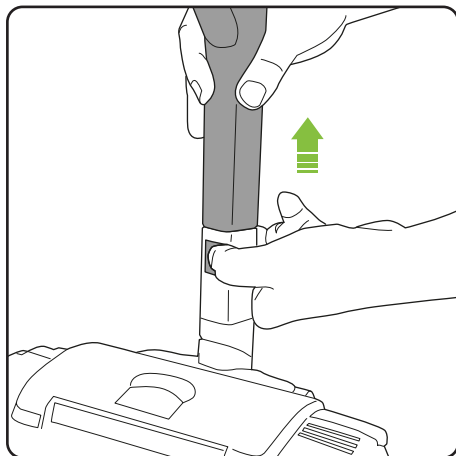
Removing the handle



To remove the handle, hold the main unit down with your foot and pull upwards on the handle.

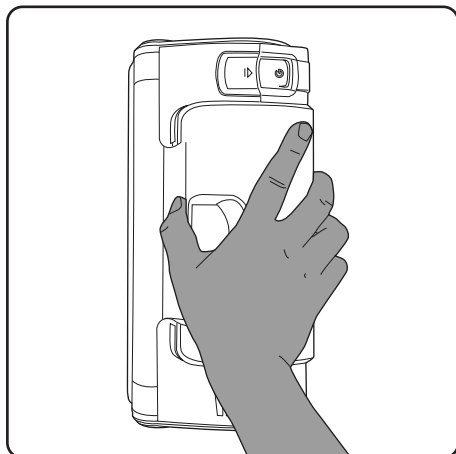


To remove the steering module press the button and pull the handle out.

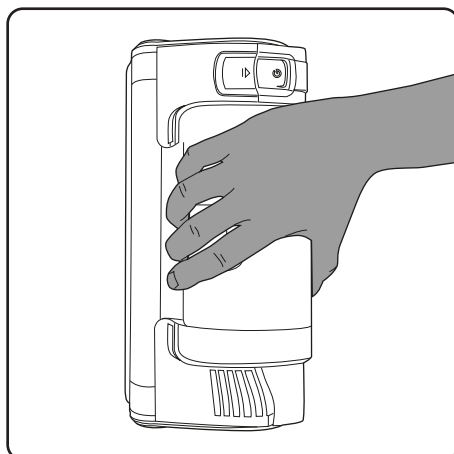


You can also remove the handle while the steering module is still attached to the main unit to use the handle with the duster.

Hand-held operation

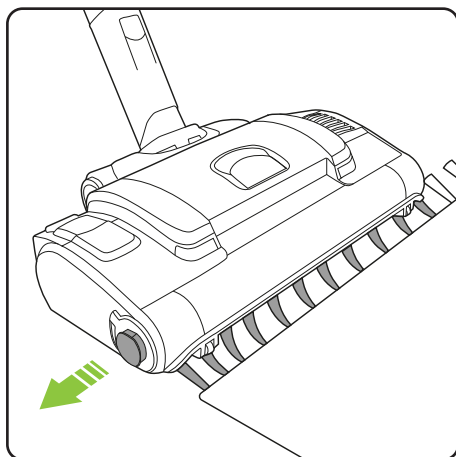


When cleaning surfaces such as carpets and upholstery, hold the vacuum and slide it back and forth. Please be aware of the constantly rotating brush-bar while using this product in its hand-held mode.

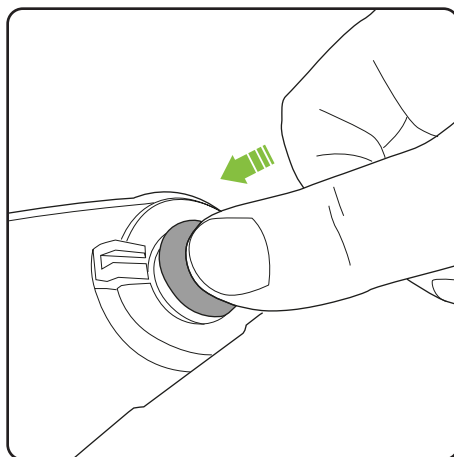


For use on stairs, grip and move the vacuum over each step. Extra care should be taken when vacuuming stairs.

Brush-bar eject system

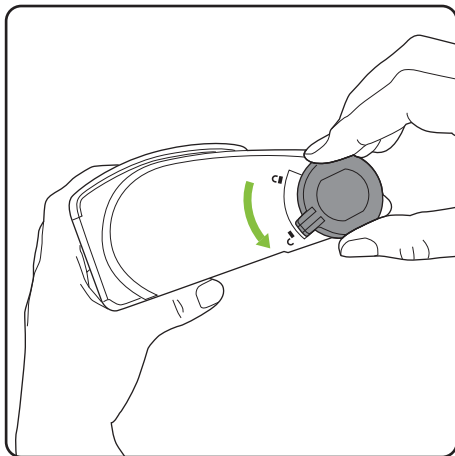


In the case of a jam, the brush-bar will automatically eject itself to allow you to remove any obstructions and prevent damages. Once the brush-bar ejects, turn the unit off.

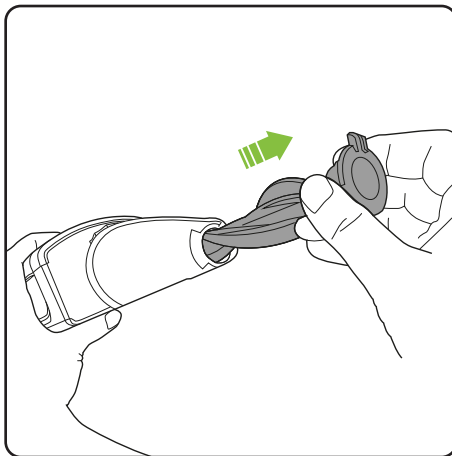


You will then need to reset the eject system by pushing the button back into place.

Brush-bar removal



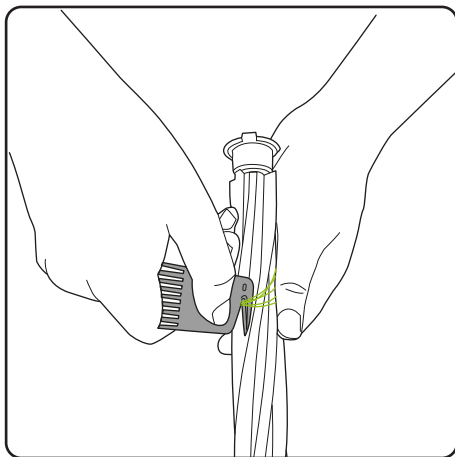
Remove the battery before maintaining any part of your product. Rotate the latch from the 'locked' position to the 'unlocked' position.



Pull the latch out to remove the brush-bar.

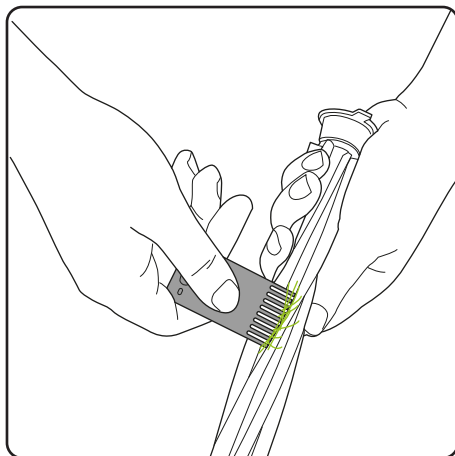


WARNING: remove battery before carrying out any form of assembly.

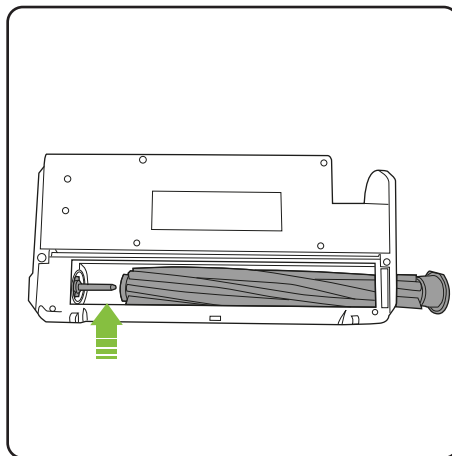


To remove hair from the brush-bar, run the blade of the hair removal tool between the brushes to cut the strands.

Brush-bar hair removal

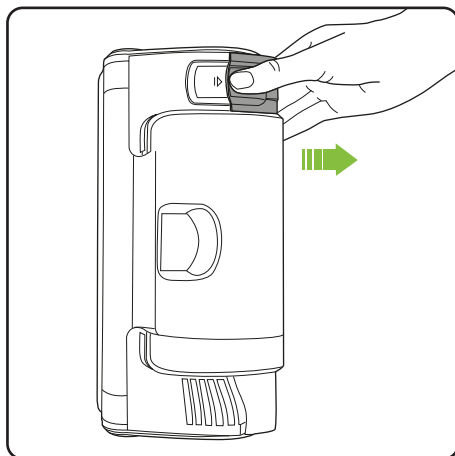


You can then use the comb end of the hair removal tool to pull the hair from the brush-bar. Never operate the product without the brush-bar in place.

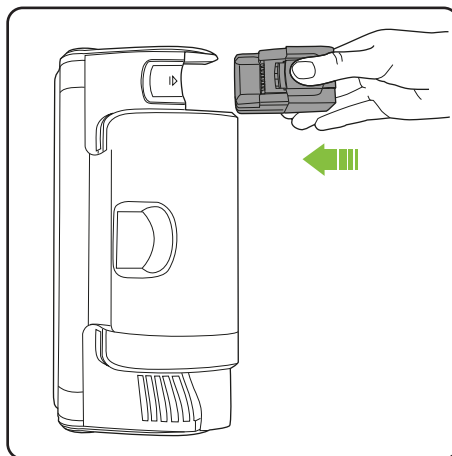


When replacing the brush-bar, ensure that it locates onto the steel pin at the other end of the head, then turn the latch to the 'locked' position.

Battery removal

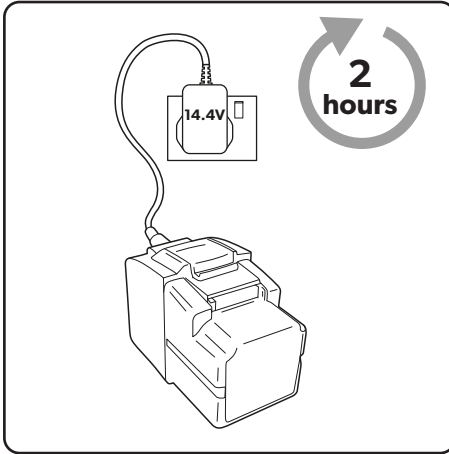


Press the latch on the top of the battery and slide it out of the battery-housing.

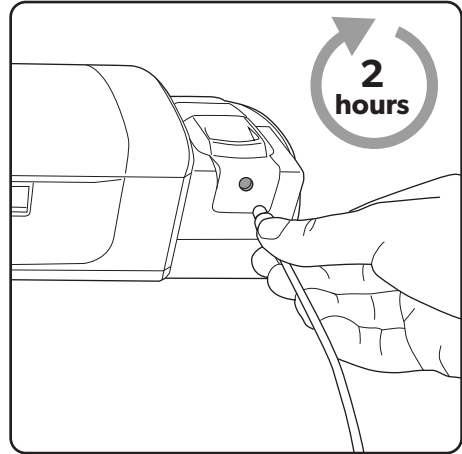


To refit the battery, line it up and slide it into the battery housing. The battery will click into place when correctly fitted.

Recharging the battery



Plug the charger into the mains and connect it to the battery. Switch the power on at the mains.

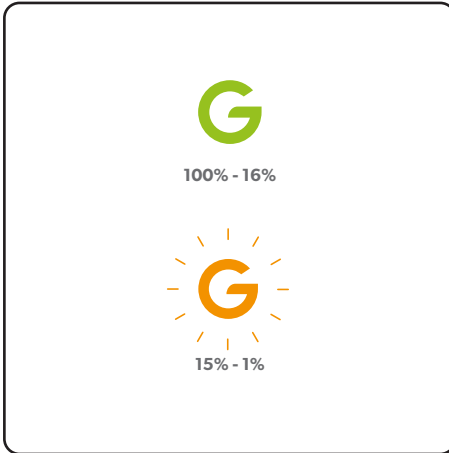


The battery can be charged on or off the main vacuum unit.

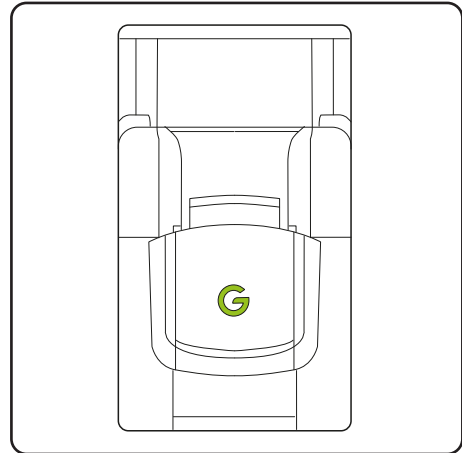


For optimum battery performance, we recommend turning the plug socket off once the battery is fully charged.

Battery state-of-charge indicator

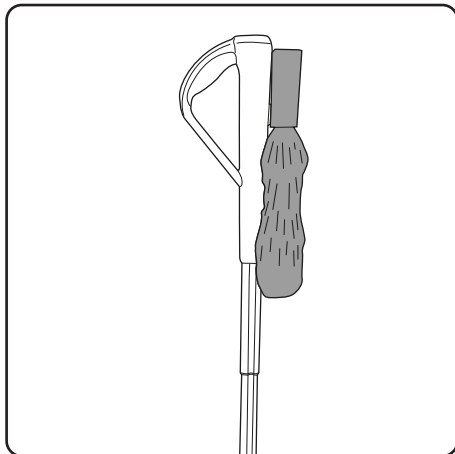


The battery indicator shows how much charge remains in the battery.

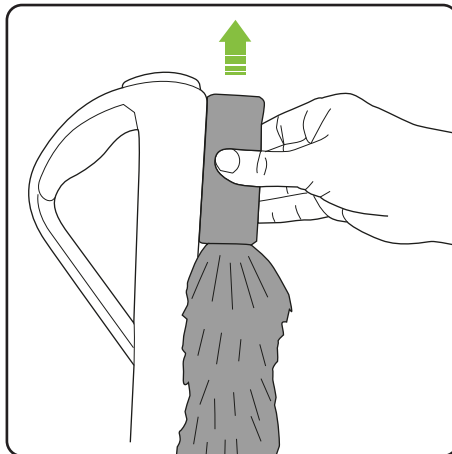


Whilst charging, the 'G' on the battery will pulsate green. When fully charged, it will show a solid green colour.

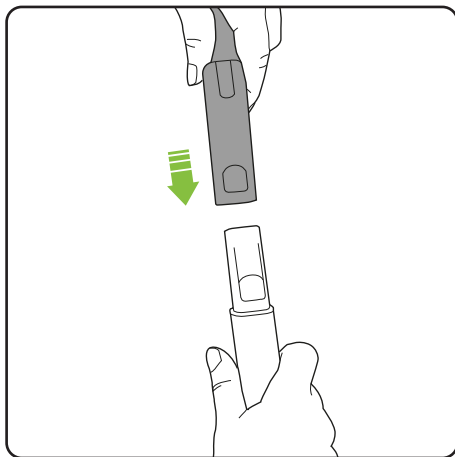
Using the duster



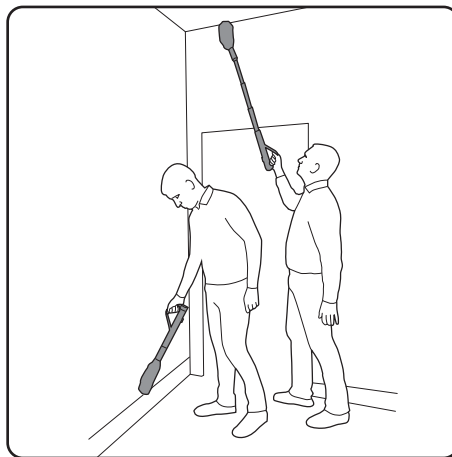
The duster can be stowed on the handle.



To remove the duster simply slide it upwards and off the handle.

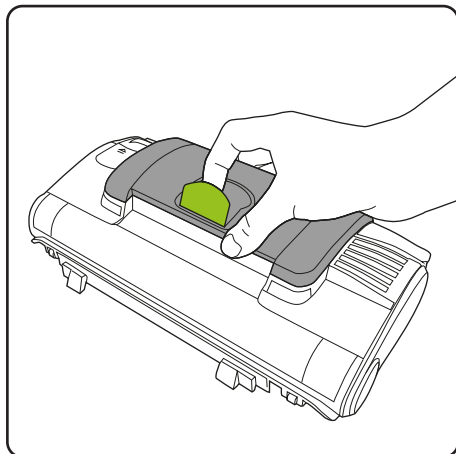


Attach the duster to the end of the handle, clicking the latch into place

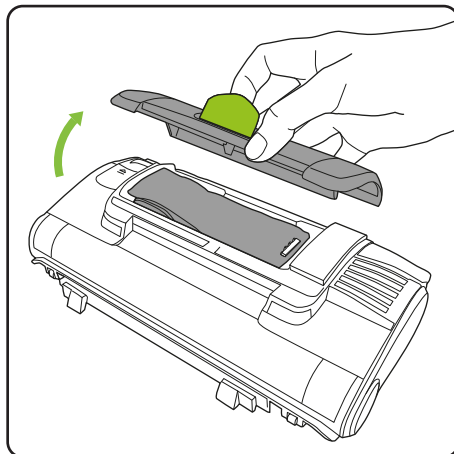


This allows you to clean low, or with the handle extended, up high.

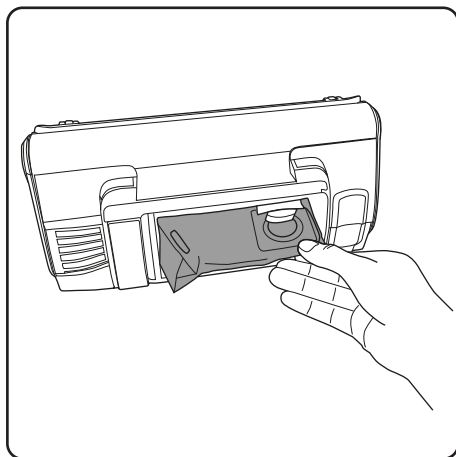
Removing the bag



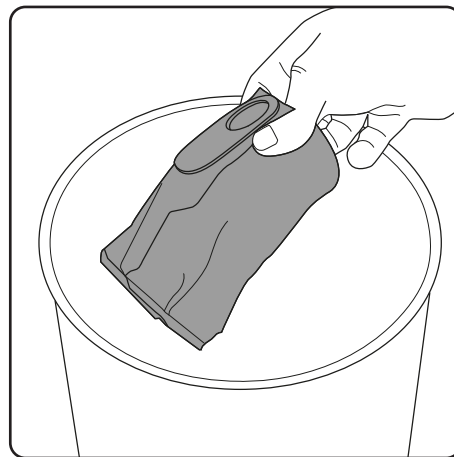
Remove the battery before removing the bag. Open the bag-chamber by lifting the latch on top of the lid.



Lift and remove the bag-chamber lid.



Turn the product onto its back, unhook the end of the bag and disconnect the collar from the inlet. You can then remove the bag.

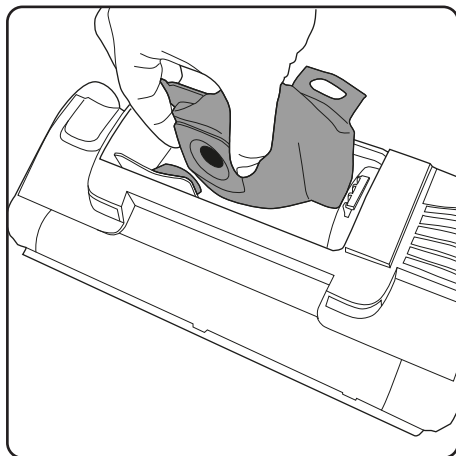


Dispose of the bag safely and replace with a new one.

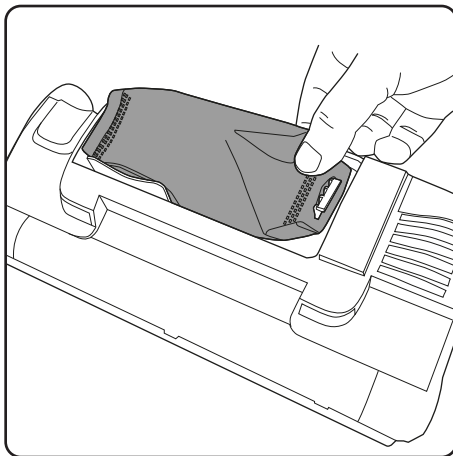
(You can get more bags at www.gtech.co.uk)

Do not reuse bags as this could damage and reduce the performance of the Product.

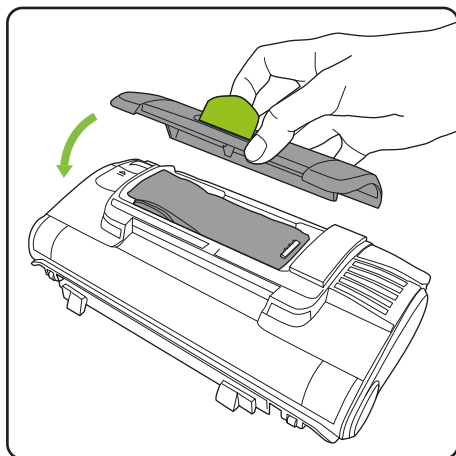
Replacing the bag



Put the new bag in the bag-chamber, fitting the collar over the inlet.



To expand the bag, pull the hoop at the end of the bag over the hook at the edge of the chamber.



Place the lid back onto the chamber and press down. It will click into place once it is secure.

Product care

Your product doesn't need much maintenance: replace bags when full, keep the brush-bar tangle-free and charge the battery. Wipe it with a dry cloth if it gets dirty. Before maintaining any part of the product, remove the battery.

Troubleshooting

Reduced suction	<ol style="list-style-type: none">1. Check for blockages.2. Clean the brush-bar.3. Check if the bag is full and needs emptying.4. Check the lid is closed properly.
Unexpectedly short battery life	<ol style="list-style-type: none">1. Check the battery is fully charged.2. Clean the brush-bar.3. The run-time will vary depending on the surfaces you are cleaning.
Battery will not charge	<ol style="list-style-type: none">1. Check the charger is correctly connected to the battery and mains supply.2. Check the wall socket is switched on.3. Try another plug socket.4. Check the charger cord for signs of wear or damage.
My vacuum won't switch on	<ol style="list-style-type: none">1. Check the battery is connected.2. Check the battery is fully charged.
Brush-bar has ejected	<ol style="list-style-type: none">1. Check for blockages.2. Clean the brush-bar.
'G' on battery shows amber for 5 seconds	The brush-bar is jammed: <ol style="list-style-type: none">1. Turn off the Product, remove the battery and clear the blockage. The unit has over-heated: <ol style="list-style-type: none">1. Leave to cool down.
'G' on battery shows red	Contact Gtech.